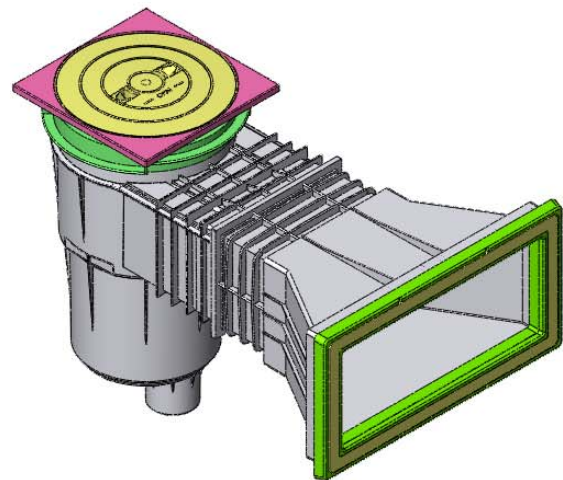
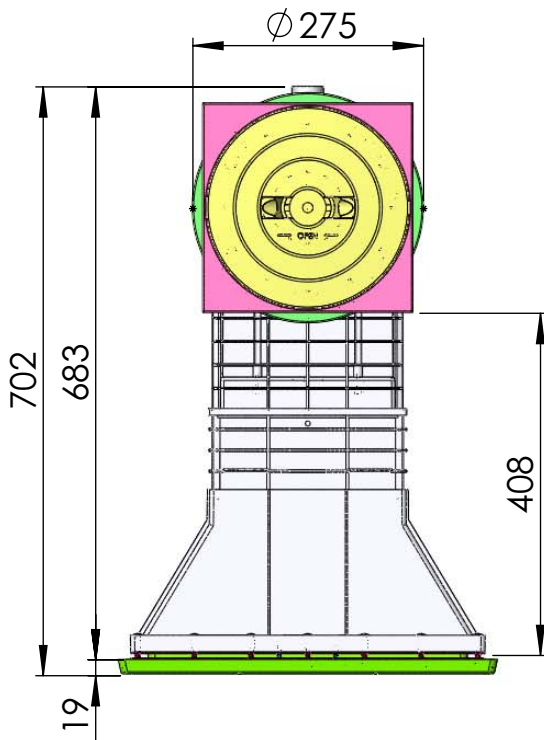
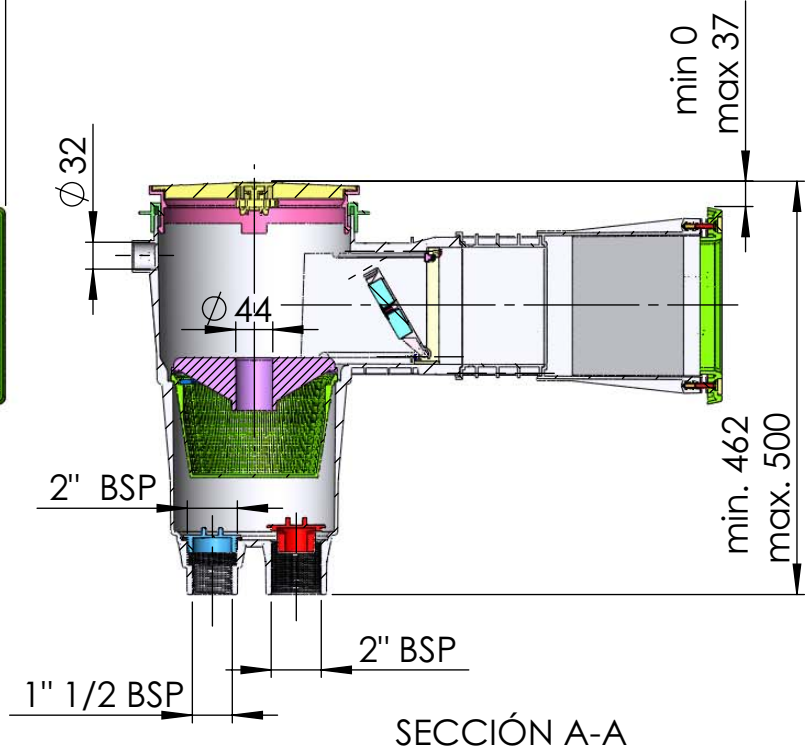
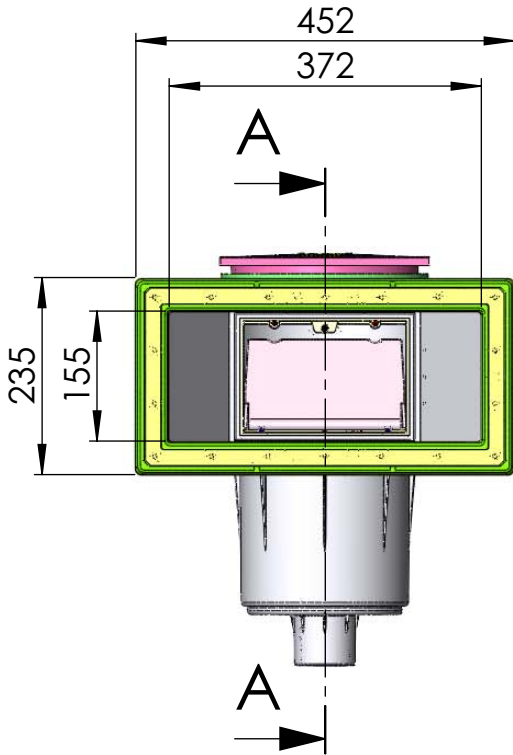


CÓDIGO / CODE: **11313**
 DESCRIPCIÓN: **SKIMMER 17,5L PP B.ANCHA + ALARGO**
 DESCRIPTION: **SKIMMER 17,5L LP WITH WIDE MOUTH AND EXTENDED THROAT**



Nota: Unidades en mm
 Note: Units in mm