

DIVINA **OUTDOOR**

DIMENSIONS 190X140 CM



2-seater bathtub

36 jets (18 on the sides+16 on the bottom)

Filtration with cartridge skimmer

AQUACLEAN purification system

Chromolight

Integrated audio system + Bluetooth

Two-speed pump 2.5 HP

Heater 2 kW

BATHTUB FINISH



Shiny white

PANEL FINISH



Oak-Alpine
code Z1



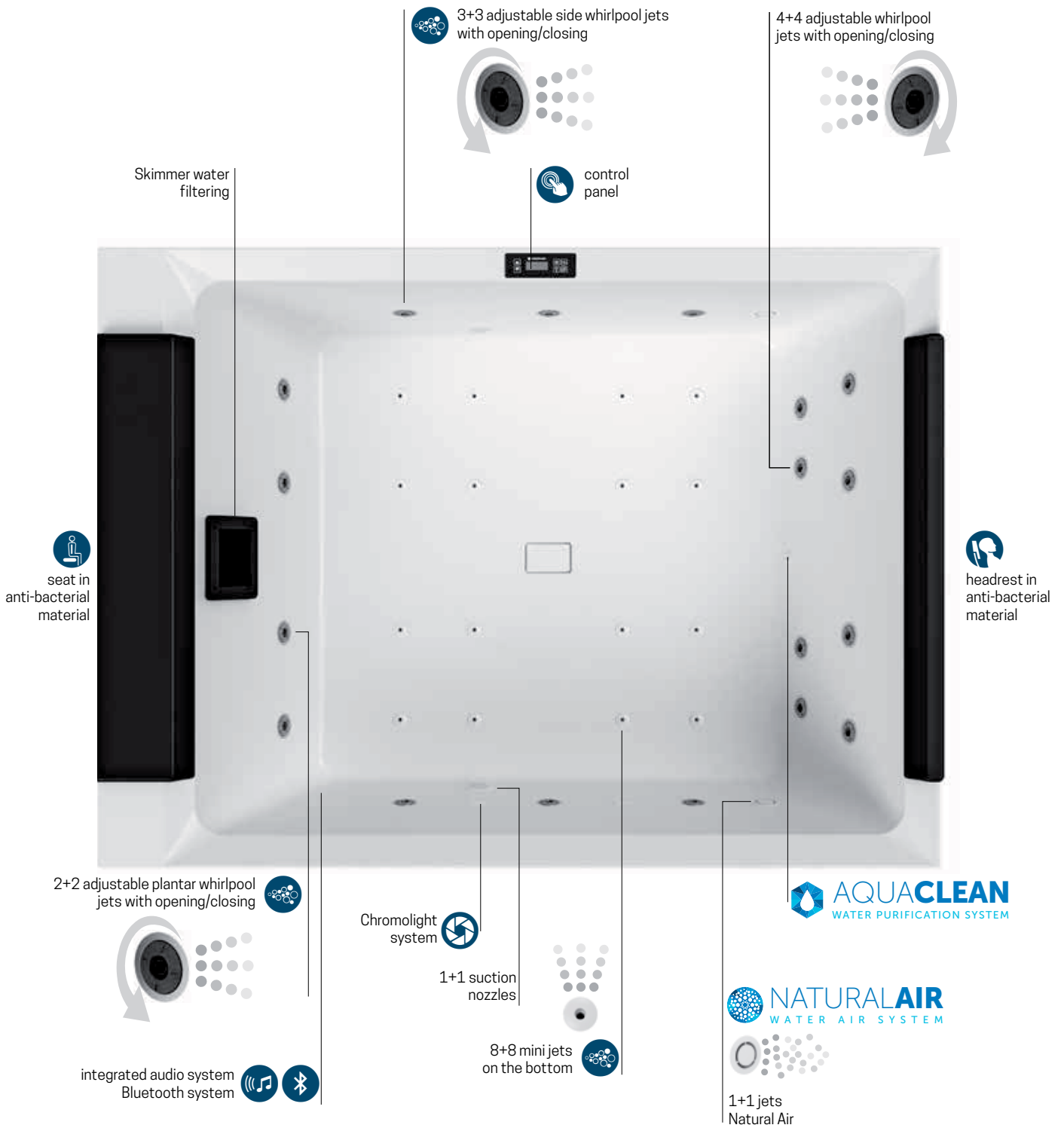
Oak-Concrete
code Z2



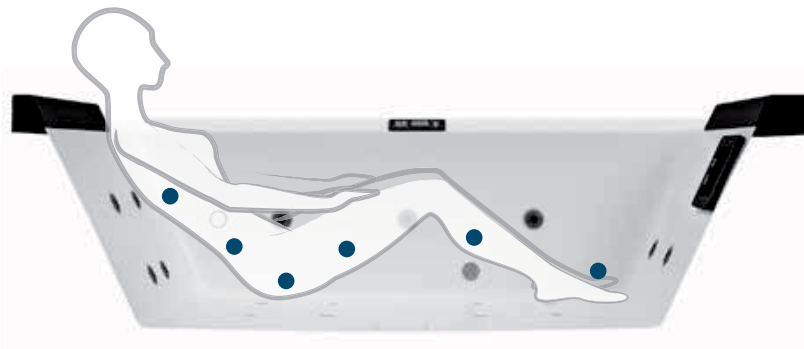
Oxid
code Z3



Quarz
code Z4



MASSAGE AREA



The powerful beneficial massage of the Divina Outdoor model reactivates blood circulation and relaxes your muscles.

The numerous adjustable jets have been specifically developed to provide a gentle massage in the lumbar, back, buttock, thigh, shin and foot area.

Designed for both the individual or for couples.

DIVINA OUTDOOR

OUTDOOR WHIRLPOOL BATH

Dimensions			Capacity	Code	Select Function / Price			
cm	H	It.			STANDARD WITH LED LIGHTS	AQUA CLEAN CON LUCI LED	CROMOLIGHT + AUDIO BLUETOOTH	AQUA CLEAN + CROMOLIGHT + AUDIO BLUETOOTH

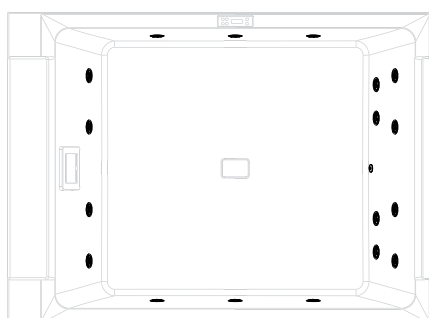
BASIC								
					0-A0K	8-A0K	6-A0K	9-A0K
190x140	75	500	D05190140					

PLUS								
					0-A0K	8-A0K	6-A0K	9-A0K
190x140	75	500	D04190140					

TOPTOP								
					0-A0K	8-A0K	6-A0K	9-A0K
190x140	75	500	DOP190140					

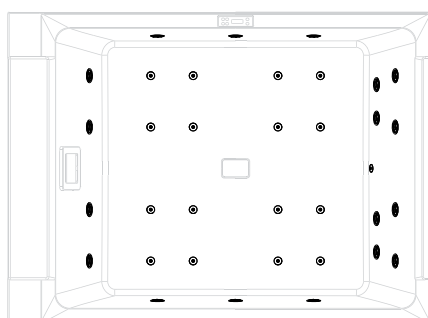
Code	Select the panels/Price			
	Oak-Alpine	Oak-Concrete	Oxid	Quarz
Coibentazione standard	P1	P2	P3	P4
PANV2F2LDIVDO-				
Coibentazione Plus (adatto per climi temperati)	P1	P2	P3	P4
PANV2F2LDIVDOT-				

THE STANDARD VERSION INCLUDES 4 WHITE LED LIGHTS



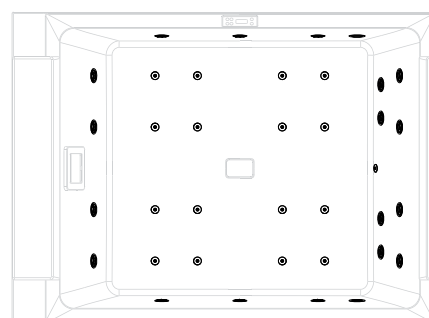
BASIC VERSION

18 BACK / SIDE / FOOT JETS



PLUS VERSION

18 BACK / SIDE / FOOT JETS
16 MINI JETS ON THE BOTTOM



TOP VERSION

18 BACK / SIDE / FOOT JETS
16 MINI JETS ON THE BOTTOM
2 NATURAL AIR JETS



THERMAL COVER

Foldable bathtub cover ideal for outdoor use. The cover guarantees excellent thermal insulation to maintain the water temperature and cut down on electricity consumption for heating.

Code	Price
Coibentazione standard	
DOTHCO	
Coibentazione Plus (adatto per climi rigidi)	
DOTHCOT	



WATER TREATMENT KIT

Consisting of:

- **1kg of multi-action chlorine**
- **500g granular PH reducer**
- **Litmus paper**

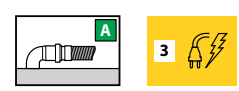
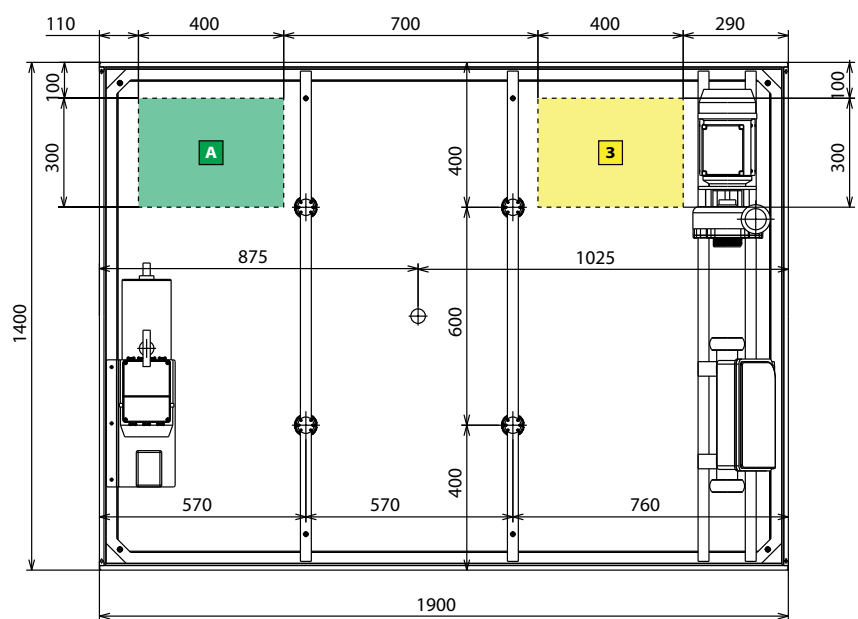
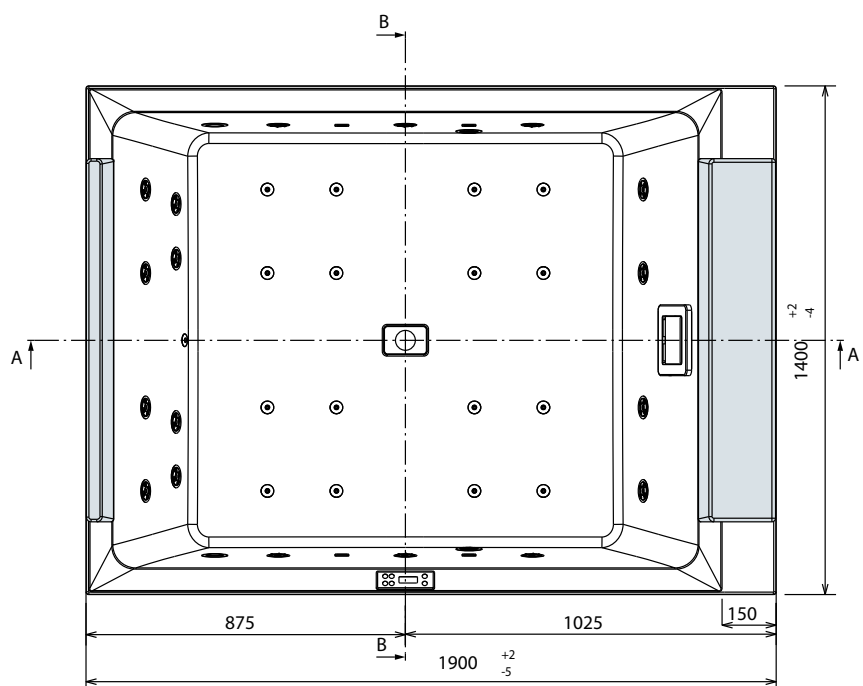
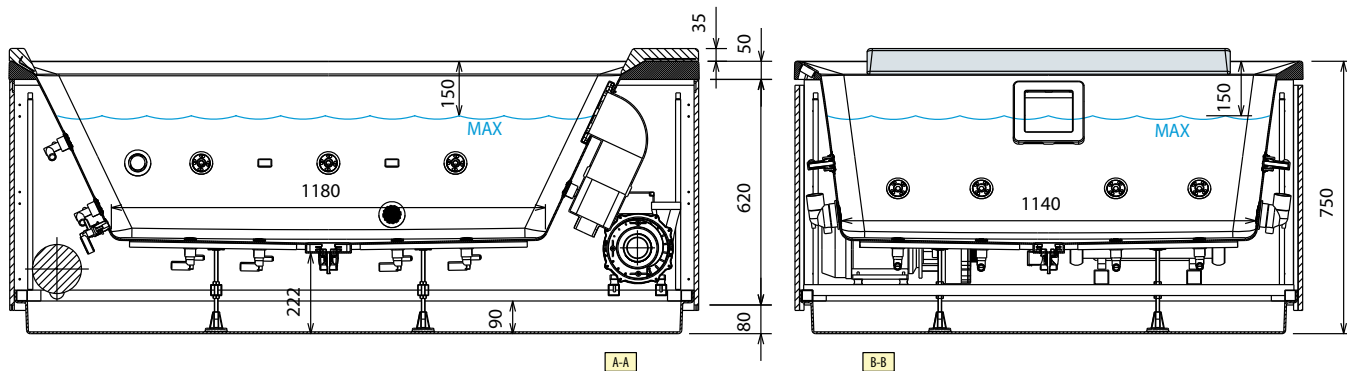
Code	Price
DOKIWT	

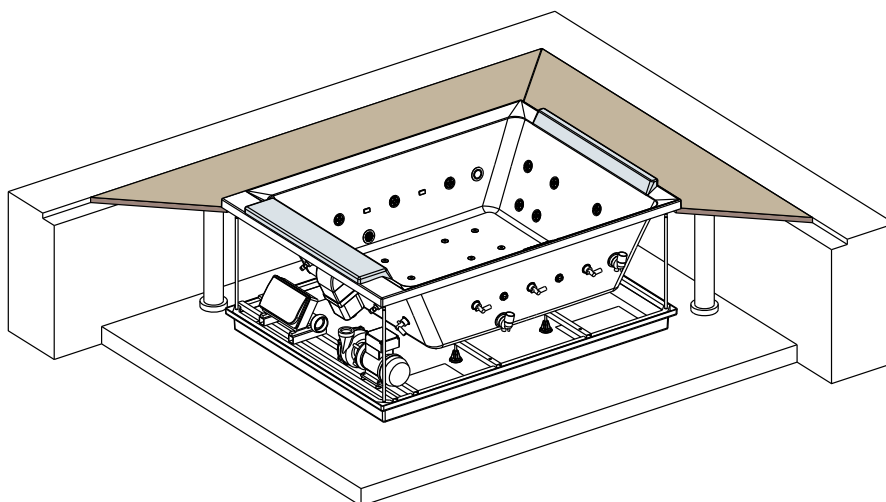
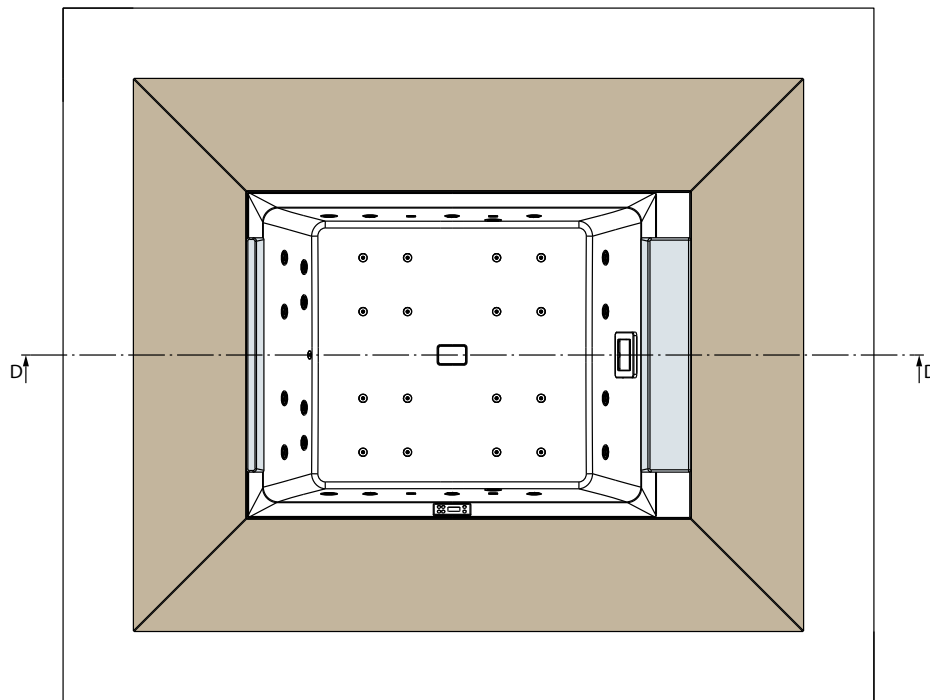
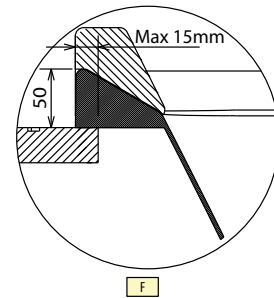
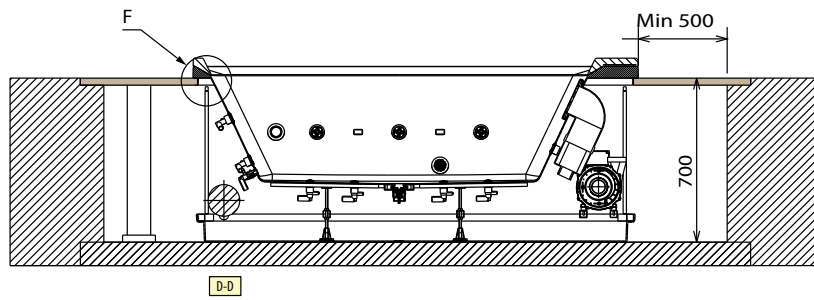


2 SKIMMER FILTERS

Pack of 2 cartridges for mechanical water filtering to insert in the skimmer.

Code	Price
DOFISK2	





HYDRAULIC CHARACTERISTIC

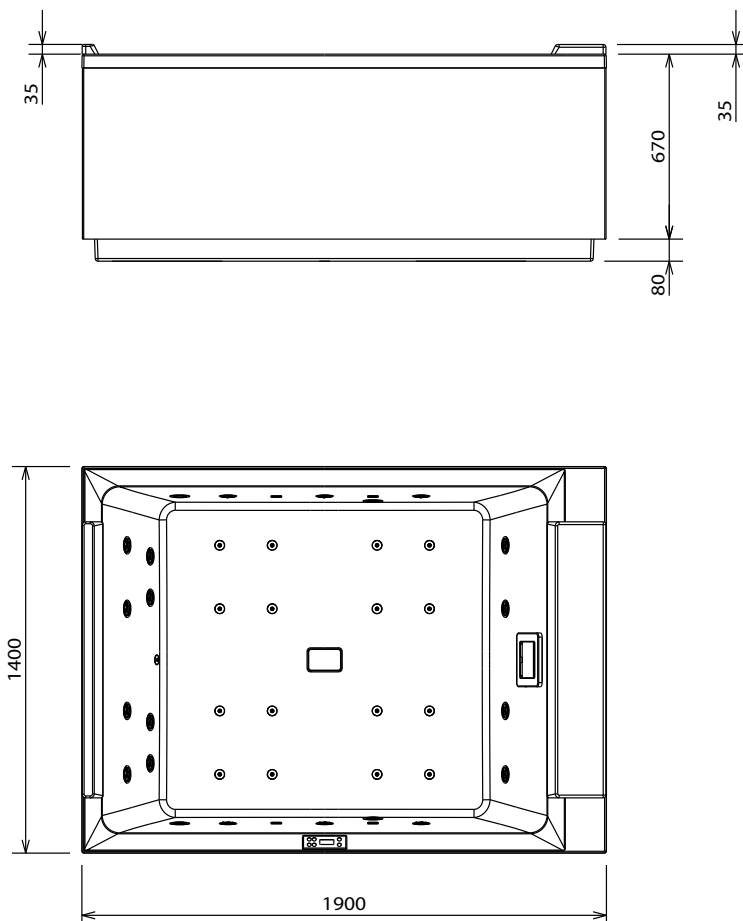
maximum capacity 500 litres
 18 side whirlpool jets
 16 mini jets on the bottom
 2 Natural Air jets

ELECTRICAL CHARACTERISTIC

Current 220-230 V
 Frequency 50 Hz
 Whirlpool: 1900 W
 Natural Air: 1100 W
 Max heat absorption heater +
 low-speed pump: 2400 W

CARATTERISTICHE MECCANICHE

Total area 2.66 m²
 Bathtub + components mass 200 kg
 Users mass (2 pers.) 80+80 kg
 Specific load on support base
 3500 N/m²



Maintenance

The product is manufactured with the best solutions available and guarantees extremely high standards of quality and reliability. For correct operation, like all mini-swimming pools, ongoing and specific maintenance is required in compliance with the indications in the documentation provided and the provisions laid down by the regulations in force.

Water management is very important to ensure correct operation and water hygiene.

Novellini provides general indications, but it is the customer's responsibility in the case of private installations or the system manager's in the case of public installations.

If the water parameters are respected, e.g. constant monitoring of the concentration of chlorine and acid, the product will not be damaged by the formation of rust or failure of the electro-mechanical components (pump, heater).

This type of damage is not covered by the warranty.

Where indicated, the periodic maintenance schedule must be carried by a qualified technician.



SPA

OPTIONAL ACCESSORIES

HEAD REST IN EVA* for Divina and Divina O



Code	Price
POGDIV	

HEAD REST IN EVA * for Divina C



Code	Price
POGDIVC	

HEAD REST IN EVA* for Iris in recess version



Code	Price
POGIRIN	

HEAD REST IN EVA* for Calos 2.0



Code	Price
POGCA1	

ON DECK MOUNTED SHELF for Divina and Divina F



Width	Code	Price
70 cm	R90VADIV70	
75 cm	R90VADIV75	
80 cm	R90VADIV80	
90 cm	R90VADIV90	

BATH EDGE PROFILE



Dimensions	Code	Price
1 side 185 cm	PRV185-30	
2 sides 185x85 cm	PRV18585-30	
3 sides 85x185x85 cm	PRV8518585-30	

ON DECK MOUNTED SHELF for Divina, Divina C, O and F



Code	Price
R90PODIV	

DECK MOUNTED BATH FILLER CHROME progressive mixer with 2 functions (bath filler / hand shower)



Code	Price
KRUBBVAQNO-K	

*EVA is a non-toxic, antibacterial and waterproof material

OPTIONAL ACCESSORIES

BATH EDGE PROFILE



Code	Price
------	-------

PRVA2-A

KIT OF 2 RIGID FINISHING PROFILES IN PLASTIC 195 CM



Code	Price
------	-------

PRVA195-30

DRIP-PROOF DRAIN PIPE



Code	Price
------	-------

R90SCDOCBV

for Iris, Calos 2.0, Una, Vogue, Venus, Calypso

WASTE COLUMN

for bathtub without bath filler



SENSE

Code	Price
------	-------

COLSCAVK-K

DRAIN COLUMN WITH INLET

for bathtub with bath filler



Code	Price
------	-------

COLSCAE-K

INSPECTION PANEL

for built-in bathtub 60x33x2 cm



SENSE

Code	Price
------	-------

PANISPEL-A

IRIS, CALOS 2.0, UNA, VOGUE, VENUS, CALYPSO, BABY

Code	Price
------	-------

PANISP-A

SUPPORT BARS FOR ADJUSTABLE FEET SUITABLE FOR BATHTUBS WITHOUT FRAME

for Sense, Iris, Calos 2.0



Code	Price
------	-------

PIEDVASCA

ONLY FOR BATHTUBS WITH WIDTH 70 CM.

SUPPORT BARS FOR ADJUSTABLE FEET

for Divina, Calos 2.0,



Code	Price
------	-------

PIEDVASCA70

PIEDVASCA75

PIEDVASCA80

PIEDVASCA90

PIEDVASCA100

KIT BATH SCREEN DIVINA



Regarding bath screen Divina please order::

**1 bath screen Young 2.0 1V or 1BSV
+1 bathtub kit**

see page 281

KIT **HYDROSILENCE**



DIVINA DUAL

Dimensions	Structure	Code	Price
190 x 140	1 Panel	KUSDIV1F19014	
190 x 140	2 Panels	KUSDIV1FL19014	
190 x 140	3 Panels	KUSDIV1F2L19014	
190 x 140	4 Panels	KUSDIV2F2L19014	

DIVINA C

Dimensions	Structure	Code	Price
140 x 140	1 Panel	KUSDIVC	

DIVINA O

Dimensions	Structure	Code	Price
165 X 98	1 Panel	KUSDIVO	

DIVINA 160/170

Dimensions	Structure	Code	Price
160/170	4 Panels	KUSDIV2F2L160	

DIVINA 180/190

Dimensions	Structure	Code	Price
180/190	4 Panels	KUSDIV2F2L190	

DIVINA - SENSE 3-4

Structure	Code	Price
3 Panels	KUSDIV1F2L	

DIVINA - SENSE 3-4 CORNER

Structure	Code	Price
2 Panels	KUSDIV1F1L	

DIVINA - SENSE 3-4 IN RECESS

Structure	Code	Price
1 Panel	KUSDIV1F	